



# Sloan® Bedpan Washer Model Flushometer

# BPW-1155

### Description

Sloan® Bedpan Washer Low Consumption Water Closet Flushometer for floor mounted or wall hung top spud bowls. For installation where clearance is required around Grab Bars. Installation meets ADA height requirements.

### Flush Cycle

Model BPW 1155-1.6 Low Consumption (1.6 gpf/6.0 Lpf)

### Variations

**DFB** Dual Filtered Fixed Bypass Diaphragm

**YI** Two Wall Bumpers (for open front seat without cover)

### Specifications

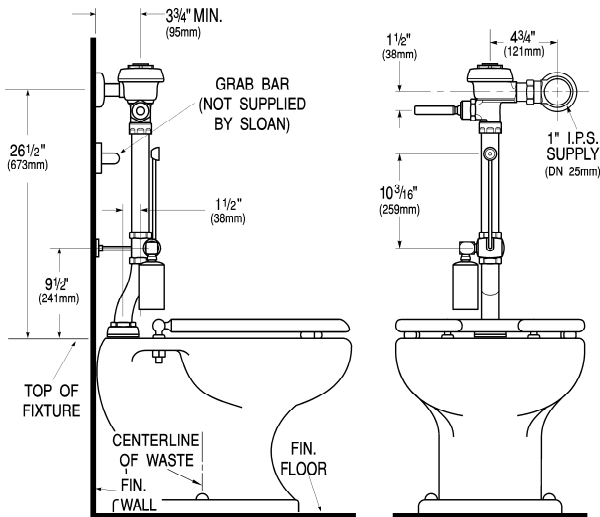
Quiet, Exposed, Low Consumption Diaphragm Type, Chrome Plated Closet Flushometer with the following features:

- High Chloramine Resistant PERMEX™ Synthetic Rubber Diaphragm with Linear Filtered Bypass and Vortex Cleansing Action™
- ADA Compliant Metal Oscillating Non-Hold-Open Handle with Triple Seal Handle Packing
- 1" I.P.S. Screwdriver Bak-Chek™ Angle Stop
- Vandal Resistant Stop Cap
- Adjustable Tailpiece
- 1½" Offset Flush Tube
- Vacuum Breaker with Flush Connection
- Spud Coupling and Spud Flange for 1½" Top Spud
- Sweat Solder Adapter with Cover Tube and Cast Wall Flange
- High Copper, Low Zinc Brass Castings for Dezincification Resistance
- Non-Hold-Open Handle and No External Volume Adjustment to Ensure Water Conservation
- Low Consumption flush accuracy
- Handle Packing, Stop Seat and Vacuum Breaker Molded from PERMEX™ Rubber Compound for Chloramine Resistance

### Bedpan Washer Diverter Assembly with the following features:

- Solid One-piece Body Construction
- Solid Brass Spray Arm
- Counter Balanced Pivot Assembly
- Diverter Valve Wall Support
- Offset Flush Connection for clearance around Grab Bar installations

Valve Body, Cover, Tailpiece and Control Stop shall be in conformance with ASTM Alloy Classification for Semi-Red Brass. Valve shall be in compliance to the applicable sections of ASSE 1037, ANSI/ASME 112.19.2.



This space for Architect/Engineer approval

The information contained in this document is subject to change without notice.

**SLOAN**

Made in the U.S.A.

SLOAN VALVE COMPANY • 10500 SEYMOUR AVE. • FRANKLIN PARK, IL. 60131  
Ph: 1-800-9-VALVE-9 or 1-847-671-4300 • Fax: 1-800-447-8329 or 1-847-671-4380  
www.sloanvalve.com